

# 800 SERIES

**CAPACITY: 1350-1800 LBS PER CASTER**



8-808-TU



8-808R-TCI



8-810F-PSE

## FEATURES

KING BOLT

TOP PLATE

HARD CAP

UPPER BALL RACE

UPPER SWIVEL SEAL

YOKE

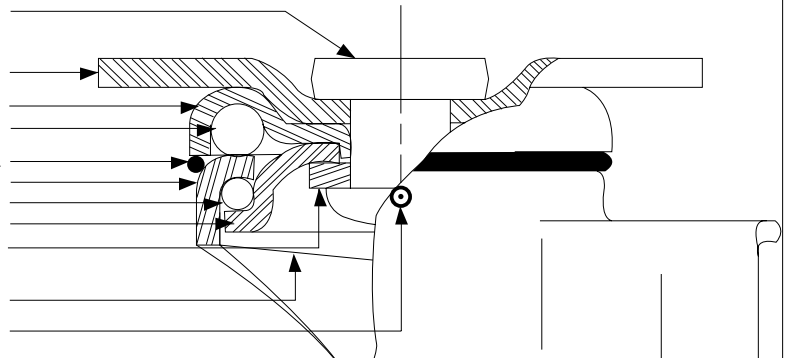
LOWER BALL RACE

RETAINER

STEM WASHER

LOWER SEAL

ZERK FITTING



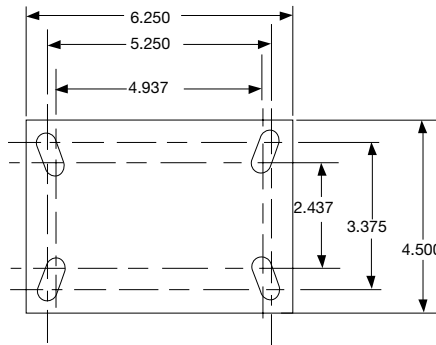
- 3/4" Axle
- 1" King bolt
- Double row ball bearing swivel
- Both raceways equal diameter
- Standard with swivel seals and grease fittings in swivel and axle
- Bright zinc finish
- All swivel parts case hardened to Rockwell 62C

## OPTIONS

- Brakes, locks wheel and swivel. Available on 6", 8" and 10" models. Add letter "B".
- Four position swivel locks. Add letter "F".
- Brakes and swivel locks cannot be combined on the same caster.

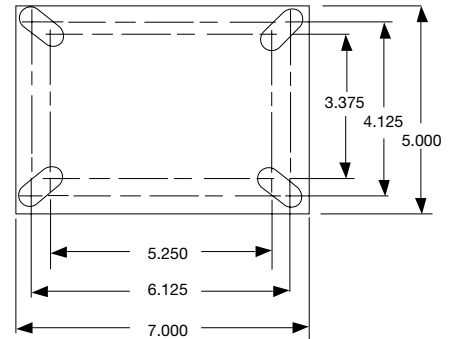
## INSTALLATIONS

### NO. 8 TOP PLATE



HOLES FOR 0.500 BOLTS

### OPTIONAL NO. 6 TOP PLATE



HOLES FOR 0.500 BOLTS

# 800 SERIES

**CAPACITY: 1350-1800 LBS. PER CASTER**

<b>WHEEL DIAMETER</b>	<b>TREAD WIDTH</b>	<b>LOAD CAP./LBS</b>	<b>BEARING TYPE</b>	<b>SWIVEL MODEL</b>	<b>RIGID MODEL</b>	<b>SWIVEL RADIUS</b>	<b>OVERALL HEIGHT</b>
<b>SOLID ELASTOMER - VERY LOW STARTING AND ROLLING RESISTANCE - ERGO*</b>							
5"	2-1/2"	1350	PRECISION BALL	8-805-PSE	8-805R-PSE	4-5/8"	7-1/8"
6"	2-1/2"	1500	PRECISION BALL	8-806-PSE	8-806R-PSE	5-1/8"	8-1/8"
8"	2-1/2"	1650	PRECISION BALL	8-808-PSE	8-808R-PSE	6-1/8"	10-1/4"
10"	2-1/2"	1800	PRECISION BALL	8-810-PSE	8-810R-PSE	7-1/8"	12-1/4"
<b>URETHANE - FOR HEAVY LOADS AND ROUGH FLOOR CONDITIONS - ERGO*</b>							
6"	2-1/4"	1500	ROLLER	8-806-TU	8-806R-TU	5-1/8"	8-1/8"
8"	2-1/2"	1800	ROLLER	8-808-TU	8-808R-TU	6-1/8"	10-1/4"
<b>SEMI-STEEL - CROWNED SEMI-STEEL CASTING</b>							
5"	2-1/4"	1500	ROLLER	8-805-TCI	8-805R-TCI	4-5/8"	7-1/8"
6"	2-1/4"	1700	ROLLER	8-806-TCI	8-806R-TCI	5-1/8"	8-1/8"
8"	2-1/4"	1800	ROLLER	8-808-TCI	8-808R-TCI	6-1/8"	10-1/4"
10"	2-1/4"	1800	ROLLER	8-810-TCI	8-810R-TCI	7-1/8"	12-1/4"
<b>V-GROOVED - ECONOMICAL HANDLING OF HEAVY LOADS ON ANGLE TRACK</b>							
6"	2-1/2"	1500	ROLLER	8-806-TCV	8-806R-TCV	5-1/8"	8-1/8"
8"	2-1/2"	1800	ROLLER	8-808-TCV	8-808R-TCV	6-1/8"	10-1/4"

\* Ergonomically designed for easy rolling.